

El nr	14 017 36
Article nr	9221016
EAN	7090015370550



Tekniske data

Spenning	230VAC 50Hz
Power (LED driver)	2x100W
Effekt factor	≥0,92
Dimming range	5%-100%
Omgivelsestemp	-20°C - 35°C
Levetid	50000 timer

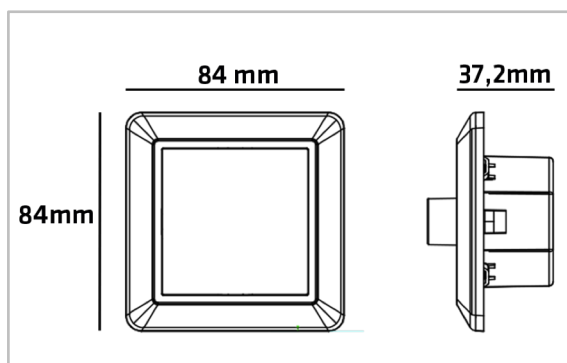


Dimmetype

Type	Dimbar faseavsnitt
------	--------------------

Beskyttelse

Isolasjonsklasse	Klasse II
IP-grad	IP20



Materialer og overflater

Armaturhus	Plastic
Farge	Hvit

Dimensjoner (mm)

Lengde (L)	84 mm
Bredde (W)	84 mm
Høyde (H)	37,2 mm
Vekt	0,12 kgs

Energi og godkjenning

Godkjenning	CE, TUV
Safety standard	IEC 60669-2-1:2002+A1, IEC 60669-1:1998+A1+A2
LVD	2014/35/EU

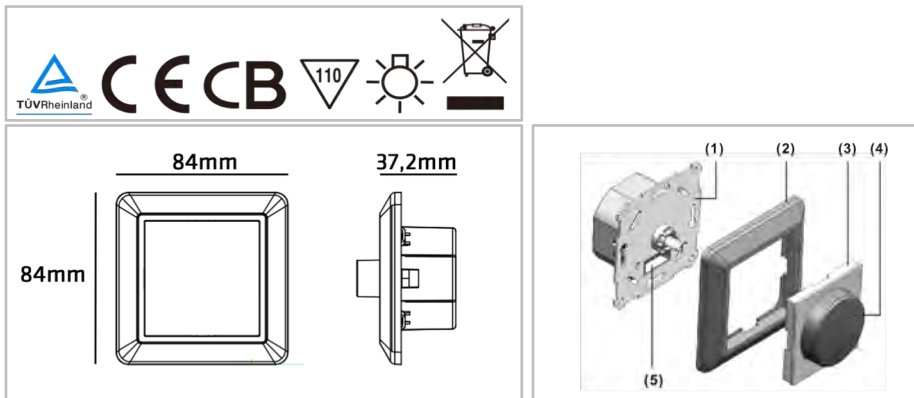
Forpakning

Eske dimensjon	86x86x47 mm
Eske Vekt	0,13 kgs
Kartong Dimensjon	480x480x300 mm
Antall/Kartong	100 stk
Kartong Vekt	13,10 kgs

Montering/Tilkobling

Montering	Innfelling
Kobling	Skruklemmer

Dimmer faseavsnitt 2x100W



IMPORTANT INFORMATION:

1. Please read this instruction carefully before installation and keep it for future reference.
2. Please conform to the instruction of equipment and installed by professional.
3. Make sure correct voltage applied before use and keep away from heat and vibration source.
4. The product is not suitable for any oil pollution ambient or related applications.
5. For indoor use only.

MAIN PARAMETER:

Product	9221016
Rated Voltage	AC 230V 50Hz
Rated Power (LED)	2x100W
Dimming Technique	Faseavsnitt (GLE)
Operation Temperature	-20°C <ta<35°C
Product Size	84mmx84mmx37,2mm

Wiring Diagrams:

