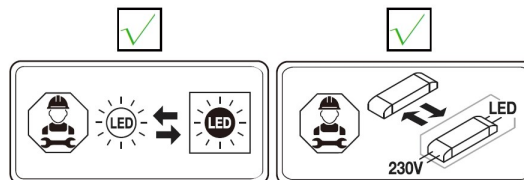
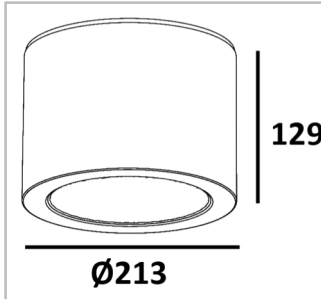


## Optilux Bucket NG



### IMPORTANT INFORMATION:

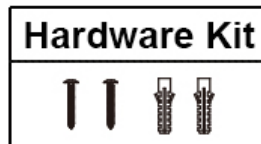
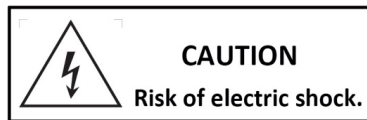
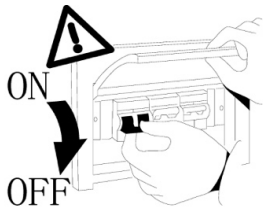
1. Please read this instruction carefully before installation and keep it for future reference.
2. Please conform to the instruction of equipment and installed by professional.
3. Make sure correct voltage applied before use and keep away from heat and vibration source.
4. The light source of this luminaire is not replaceable. When the light source reaches its end of life the whole luminaire shall be replaced.
5. The product is not suitable for any oil pollution ambient or related applications.
6. This product contains a light source of energy efficiency class **E**.
7. It shall not be disposed of as unsorted municipal waste.
8. For indoor and outdoor use under shelter.

### MAIN PARAMETER:

Product	<b>282504</b>
Rated Voltage	AC 220-240V 50/60Hz
LED watt	21W
System eff	25W
LED	Epistar SMD 2835 LED
LED Driver	Constant Current 300mA
Color Temperature	3000K
Protection	Class I
Beam Angle	60°
IP Rated	IP54
Operation Temperature	-25°C <ta<40°C
Product Size	Ø213mmxH129mm

### INSTALLATION INSTRUCTIONS:

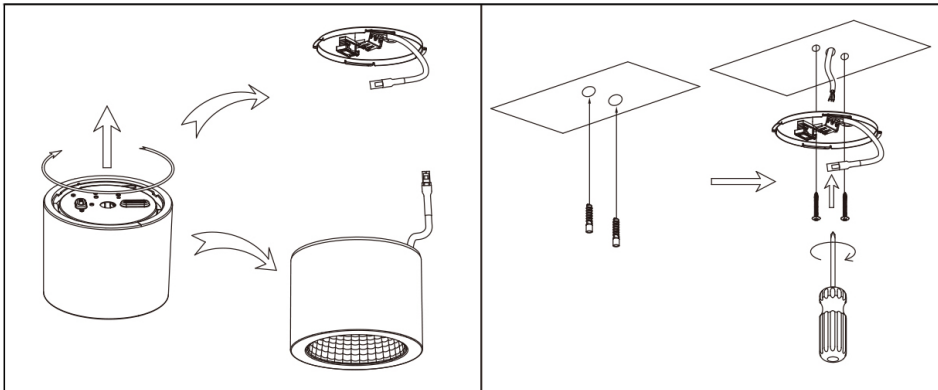
1. Always switch off the power supply before installation.
2. Make sure all parts are ready when open the box and prepare the installation tools the lighting needs.
3. Should be installed by qualified electricians.
4. If there is any damage on the housing or glass cover, should view it as disqualified product that cannot be used.
5. If the external flexible cable or cord of this luminaire is damaged, it shall be exclusively replaced by the manufacturer or his service agent or a similar qualified person in order to avoid a hazard.



Art nr. 282504

## INSTALLATION STEPS:

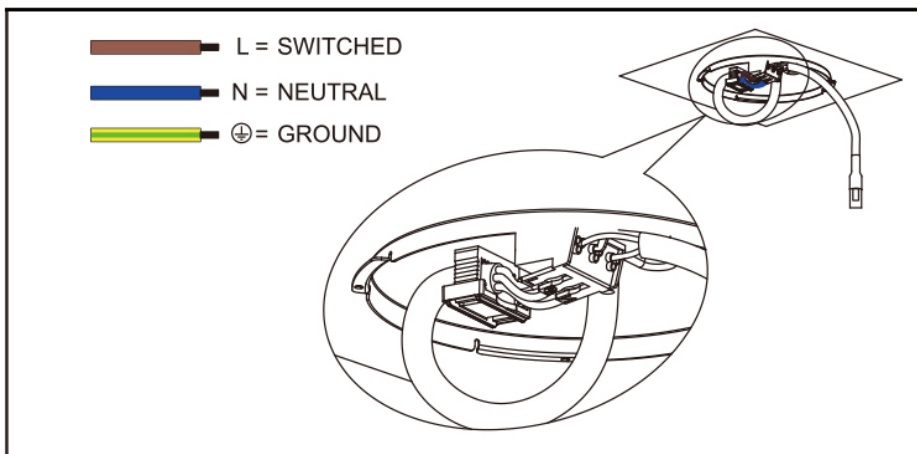
1. Select the required position for the luminaire. Remove the top lid from the fitting. Fix the top lid to the ceiling with hardware kit provided.
- For cable through ceiling box (hidden wiring), drill a small hole to allow power cable to pass through. Feed the power cable through the hole in the top lid.



2. Connect Mains supply to the terminal block of luminaire.

- Mains supply **LIVE (Brown) - L**
- Mains supply **NEUTRAL (Blue) - N**
- Mains supply **EARTH (Yellow/Green) - E** (marked )

**IMPORTANT: The luminaire is Class I and must be earthed.**



3. Relocate the main body of the luminaire. Twist to the end until the sound of “click”. Make sure it is securely located. Switch on the power supply.

