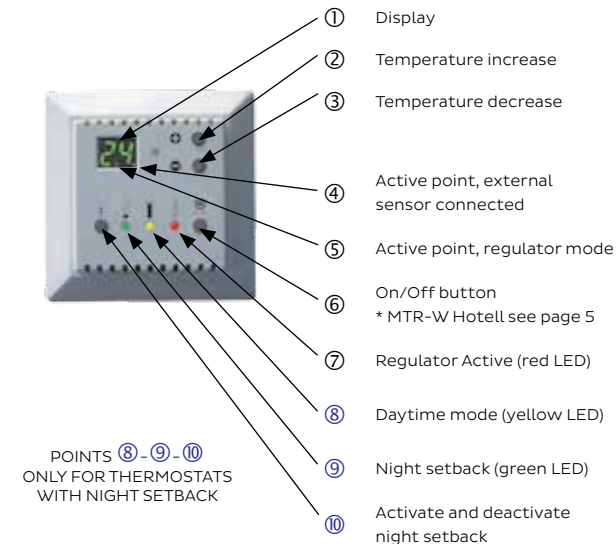


## Dear customer,

Thank you for choosing one of the market's most reliable products for controlling indoor temperatures and for helping the environment through energy savings.

### Front panel, symbols, buttons and functions:



POINTS ⑧-⑨-⑩  
ONLY FOR THERMOSTATS  
WITH NIGHT SETBACK

- Press buttons ② and ③ at the same time to change between thermostat and regulator modes.
- Active point ⑤ shows regulator mode. None of the points shows thermostat mode.

**Explanations** W = Wetroom (2-pole)  
MTR = Product name Reg = Regulator  
NS = Night setback Term = Thermostat

Menu	Parameter	Settings	Factory settings	MTRNS/W/TermREG 1- and 2-pole	MTRNS/W/BLUE and Blind 2-pole	MTR/W/TermREG 1- and 2-pole	MTemp 1- and 2-pole	MReg 1- and 2-pole	MTR-W Hotell * See page 5
P0	Temperature calibration	Can be set +/- 5°C compared to Master Thermometer	0°C	●	●	●			
P1	Frost protection off/on	1 = On / 0 = Off	1	●	●	●			
P2	Frost protection temp.	1-20°C (valid only in thermostat mode)	5°C	●	●	●			
P3	Night setback	1 = On / 0 = Cancel night setback	1	●	●				
P4	Number of hours of night setback	1-23	7 hours	●	●				
P5	Night setback temp.	1-20°C	5°C	●	●				
P6	Max. temp. floor	5-40°C	28°C	●	●	●			
P7	Regulation interval	1-20 minutes	15 min.	●	●	●			
P8	Limiter	1 = On / 0 = Off / 2 = air *	1	●	●	●			
PA	Floor sensor selection/type	00 = 47k, 01 = 12k, 02 = 15k, 03 = 10k	00 = 47k	●	●	●	●		●
Pb	Display brightness	0-50 (0 = light, 50 = dark)	20	●	●	●	●	●	●
Pc	Target temperature	Adjustment of target temperature 5-40°C	23°C						●

P8\*) Limiter in floor, but temp. regulated by integral air sensor

## Temperature sensor

### Connection of external temperature sensors:

The thermostat automatically detects if an external temperature sensor is connected. If an external floor or air sensor is connected, the internal temperature sensor will automatically cut out.

MLF47k Air temperature sensor 5-40°C  
MGF47k Floor temperature sensor 5-40°C

12K Micromatic, 15K Devi or 10K Elko may also be used.  
NB: This must be set in the parameter menu (PA).

### Setting the parameters

Go to menu and parameter settings:	Press On/Off button ⑥ and Minus button ③ for 5 seconds until PO is shown in display
Scroll through parameters:	Press On/Off button ⑥
Changing the parameters:	Press +② or -③ buttons
Saving new parameters:	Saved automatically after 10 seconds.

### Restoring factory settings:

Press and hold + ② and - ③ and On/Off ⑥ buttons at the same time for min. 3 seconds.

## Function description

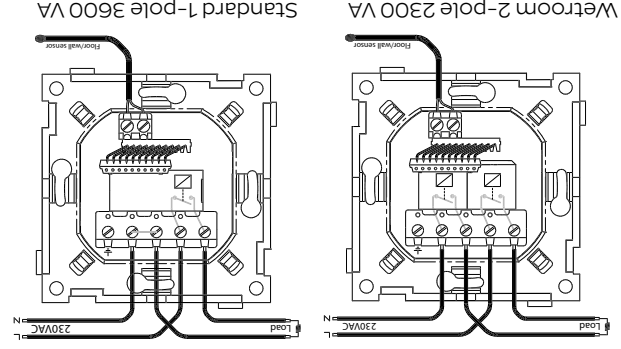
	MTRNS / W/ TermREG	MTRNS/W/ Blue/Blind	MTR/W/Term/Reg. 1- and 2-pole	M-Temp 1- and 2-pole	M-Reg 1- and 2-pole	MTR-W Hotell * See page 5
<b>ON/OFF:</b> Quick press of On/Off button ⑥	●	●	●	●	●	●*
<b>Temp. adjustment:</b> To increase the Temperature, press the plus button ②. To lower the temperature, press the minus button ③. Set temperature will appear on display for 5 seconds.	●	●	●	●		●
<b>Thermostat/Regulator mode:</b> Switch between thermostat and regulator mode by pressing plus button ② and minus buttons ③ simultaneously for 3 seconds.	●	●	●			
<b>Frost protection (thermostat mode only):</b> In thermostat mode with thermostat off, FS is visible on display. This means that frost protection is activated. Thermostat will come on at approx. 5°C or below to prevent frost damage. NB: In regulator mode, frost protection will not be active if the thermostat is turned off.	●	●	●			NO FROST PROTECTION
<b>Child safety:</b> Press On/Off button ⑥ for approx. 8 seconds to activate child safety. Confirmed by display flashing briefly. Repeat to turn child safety off.	●	●	●			NO CHILD SAFETY
<b>Night setback:</b> Hold in button ⑩ for 3 seconds until green LED flashes. Night setback is activated when green LED is on. A quick press on button ⑩ deactivates night setback for 24 hours, but it is reactivated automatically the next day. For permanent deactivation, go to Parameter P3.	●	●				NO NIGHT SETBACK
<b>Limiter/Parquet function:</b> (Menu P6 & P8) Function used with parquet floors to prevent overheating. Set in parameter menu P6 (Max temperature).	●	●	●			
<b>Calibration:</b> (Menu P0) Hold a reliable thermometer next to thermostat and set correct temperature on thermostat with + ② and - ③ buttons. The set temperature will be saved automatically after 10 seconds.	●	●	●			
Display ① shows actual temperature.	●	●	●	●		●
Pressing Plus ② or Minus ③ buttons quickly will show the selected temperature.	●	●	●	●		●
Point ④ on the display indicates that a floor or wall sensor is connected.	●	●	●	●		●
Point ⑤ indicates regulator mode.	●	●	●		●	
Red LED ⑦ indicates that heater/element is enabled.	●	●	●	●	●	●
Yellow LED ⑧ indicates daytime mode.	●	●				
Green LED ⑨ indicates night setback mode. Lowers temperature by (e.g. 5°C in relation to set value), and by 50% in regulator mode.	●	●				NO NIGHT SETBACK

## Installation instructions

**Tips for installer:**  
The thermostat should always be installed on an inner wall.

When mounting the floor sensor, take account of the location of the sensor head in relation to heating elements, outer walls and other external influences. When mounting in the cabinet together with other control systems, it is recommended that the thermostat is mounted in the lower part.

**Note:**  
The thermostat requires approx. 1 hour of warming-up time after mounting to display the correct temperature if the sensor is not attached.



### Error messages:

HI = Measuring temperatures at over 45°C.  
HI = Measuring temperatures at under 0°C.

Possible cause is wrong choice of floor sensor in parameter menu PA.

OL = Temperature in wall cabinet has exceeded 75°C (overheating). The thermostat is switching OFF. It will switch ON again when the temperature drops below 65°C, after which it will function normally again.

**Troubleshooting may only be carried out by an authorised installer.**

\*MTR-W Hotel On/Off button

MTR-W Hotel has a facility for activating/deactivating the On/Off button @. See front rear for switch.

OFF (up) = Operation of On/Off button @ not available.  
ON (down) = Operation of On/Off button @ not available.

Factory setting:

OFF = Operation of On/Off button @ not available.

## Technical data

MTR/NS, Mtemp/Mreg 1-Pole  
Load: 3600 VA

MTR/NS-W, Mtemp/Mreg 2-Pole  
Load: 2300 VA

**Inputs:**  
External sensor

**Voltage:**  
230 VAC (+/- 10%)

**Dimensions:**  
RS 16 Standard

**Material:**  
Polar white plastic

See our website for more information

Verstedvegen 19, N-7125 Vanvikan

Tel. +47 72 83 16 11

Fax +47 74 85 55 49

For more information, visit us on  
[www.ctmlyng.no](http://www.ctmlyng.no)

Thank you for choosing a product from CTM Lyng AS

## READ THE USER INSTRUCTIONS CAREFULLY

The instructions apply to the following variants:

MTR TermReg	Standard Thermostat/regulator	5450300
MTRNS TermReg	Standard Thermostat/regulator with night setback	5450301
MTR-W TermReg	Standard Thermostat/regulator for wetrooms	5450302
MTRNS-W TermReg	Standard Thermostat/regulator with night setback for wetrooms	5450303
MTRNS Blind 1 and 2 pole	Suitable for public buildings and institutions (for operation, remove cover)	5450307
MTRNS-W Blue TermReg	As standard, but with blue display	5450319
Mtemp 1- and 2-pole	Simple thermostat with input for sensor	5450340
Mreg 1- and 2-pole	Simple regulator	5450333
MTR-W Hotel	Hotel thermostat	5450324

NB: All except Mreg are supplied with floor sensor in the box.



MIRROSAFE® Thermostat/ Regulator

## Installation and user instructions