

Pairing components (moisture sensor, control panel, motion sensor)

Alternative 1 (To be carried out by authorised personnel only)

- Briefly press button SW1 in the valve driver. LED2 (yellow) will start to flash every 2 seconds. The valve driver is now in pairing mode for 60 seconds.
- NB: Operate the unit you want to pair with, see separate instructions.

Alternative 2 (Can be carried out by anyone)

- Disconnect the power to the valve driver for 5 seconds by unplugging it and plugging it back in again. LED2 (yellow) will start to flash every 2 seconds. The valve driver is now in pairing mode for 60 seconds.
- NB: Operate the unit you want to pair with, see separate instructions. Disconnect the power to the valve driver for 5 seconds once more by unplugging it and plugging it back in again. This must be done within 1 minute of pairing.

Pairing HUB

(To be carried out by authorised personnel only)

- Activate pairing mode on mTouch HUB, see separate instructions.
- Hold button SW1 on the valve driver in for approx. 4 seconds until LED2 (yellow) and LED3 (red) light up simultaneously. The unit acknowledges that a pairing signal has been sent with 5 beeps.

DELETING PAIRED UNITS

To be carried out by authorised personnel only

NB: This deletes all the units that the valve driver is paired with.

- Hold button SW1 on the valve driver in for approx. 10 seconds until LED3 (red) starts to flash. NB: LED2 (yellow) and LED3 (red) will come on and go off again. Continue to hold the button in until the red LED starts to flash.
- When LED3 (red) flashes, release the button and LED3 (red) will acknowledge by flashing 5 times.

Deletion is complete.

TIP: To check how many units the valve driver is paired with, hold button SW1 in until LED2 (yellow) comes on steady. Then release the button. LED2 (yellow) will now flash a number of times = number of units it is paired with.

CTM LYNG

Testing the installation

Testing can be done in several ways, depending on what accessories are connected.

- With **Moisture Sensor**, see instructions for moisture sensor for how to simulate moisture.
- With **Master On/Off**, check that the water is turned on/off when the button is pressed.
- With **Timer**, check that the water turns off when the time expires.
- With **Motion Sensor**, check that the water turns off when the time since last movement expires.

Technical data

Dimensions: HxWxD 95 x 73 x 37 mm	Operating voltage: 230 VAC +10/-20%
RF: 868.100 MHz +5 dBm Compatible with "v2" equipment, see page 2	

CTM Lyng AS is Norway's leading manufacturer and supplier of security products for the home, assistive technology, energy efficiency, and light and heating control for all building types under the mKomfy®, mTouch®, Microsafe® and Centrol® brands. We distribute our products through wholesalers.

We offer everything from product development to production and distribution. Our production facility in Vanvikan is equipped with some of the most advanced machinery in Europe.

Verkstedvegen 19, 7125 Vanvikan, Norway

Tel: +47 72 83 16 11
Email: marked@ctmlyng.no

For more information, visit us at
www.ctmlyng.com

Thank you for choosing a product from CTM Lyng AS

CTM LYNG

Installation and user instructions

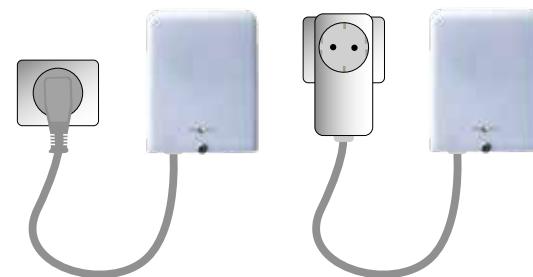
For prod. week 38-2019 onwards

Valve Driver

No. 5648522 / 6254372

Valve Driver with power adapter

No. 5648523 / 6254371



The Valve Driver is a security product from CTM Lyng AS.

The valve driver controls 1 or 2 valves simultaneously and can communicate wirelessly with up to 16 units.

Compatible with

- ½" and ¾" solenoid valves
- Moisture Sensor, wireless
- Motion Sensor, wireless
- Master On/Off, wireless
- Timer, wireless
- mTouch Economy Switch
- mTouch HUB



Look for products labelled "v2"

The system is flexible, and can be expanded to accommodate different needs and security levels.

The installation should be tested at least once a year, see *TESTING THE INSTALLATION*, page 6.

MOTION SENSOR FUNCTION

When the motion sensor detects movement, the valve turns the water on. Adjustable turn-off time: sets how long valve remains open after last detected movement. 1 min. – 4 hours.

MOISTURE SENSOR FUNCTION

When an external wireless moisture sensor detects moisture, the valve closes. To open the valve, turn off the alarm on the moisture sensor that was tripped.

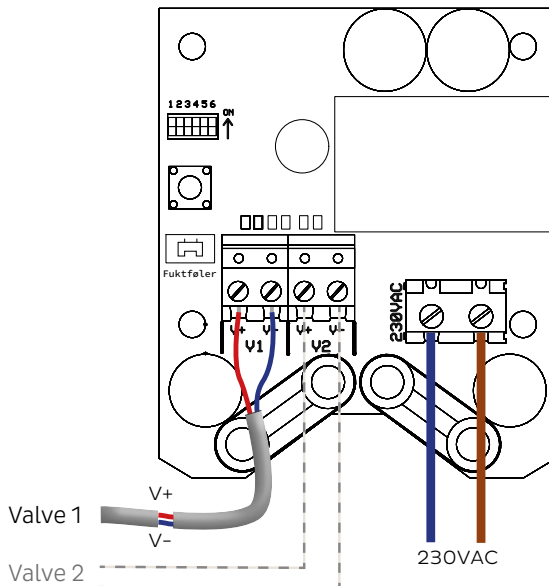
MASTER FUNCTION

Closes and opens the valve when operated.

The Master Switch overrides other units

If a valve is turned off with Master On/Off, the same Master Switch has to be used to open the valve again. Also applies to all Mstikk sockets.

TIP: Program all the units in a system before installation. This will make it easier to test the equipment.



INTERNAL MOISTURE SENSOR

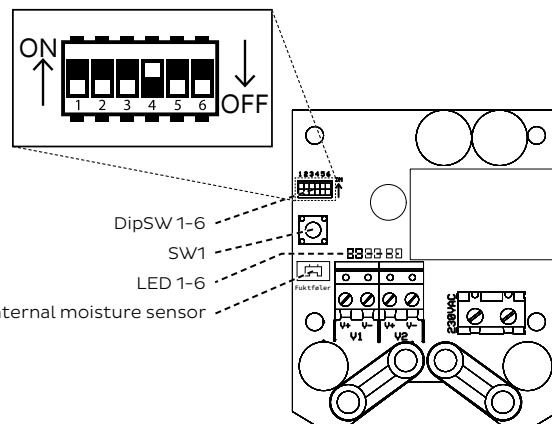
When the internal moisture sensor detects moisture (5 beeps every 10 seconds), the valve closes. To open the valve, turn the alarm off by pressing switch SW1 behind the front cover, or disconnect power to the valve driver for 5 seconds. If there is still moisture, the valve will be kept closed.

VALVE INFORMATION

- The arrow on the valve indicates the direction of the water.
- It is supplied open.
- It is controlled with a 12 VDC pulse.
- The valve remains in the position in which it has been set until it receives a pulse with the opposite polarity.
- The valve does not change position if it is disconnected from the valve driver. Its position in the event of a power failure can be set with DipSW (page 4).

DipSW	Factory	Function
1	OFF	ON*: Closes the valve if there is a power failure. OFF: Opens the valve if there is a power failure.
2	OFF	ON*: The valve does not change position in the event of a power failure. OFF: Follows DipSW 1.
3	OFF	ON: Test – Opens and closes every 5 seconds.
4	ON	ON: Jog function – Opens/closes the valve every 2 days.
5	OFF	ON: Emergency opening – Always open.
6		Not in use

*When DipSW 1 and 2 are ON, DipSW 2 has top priority



LED1	Green	Power (normal operation – 1 flash every second)
LED2	Yellow	Indicates pairing mode / number of paired units
LED3	Red	Indicates when valve is closed / internal alarm
LED4	Blue	Flashes briefly for radio communication
LED5	Green	Open pulse to valve
LED6	Red	Close pulse to valve

TESTING THE VALVE AND DRIVER

To be carried out by authorised personnel only

1. Open the tap halfway.
2. Set DipSW 3 to ON.
3. The valve will switch to being open/closed for 5 seconds.
4. Set DipSW 3 to OFF.

Testing is complete.