



MICROSAFE®



FEATURES

- ✓ Controls with DALI Broadcast.
- ✓ Listening for Broadcast and updates the display.
- ✓ Display shows brightness 1-99%.
- ✓ LED in front indicates that the dimmer is on (active).
- ✓ Pulse switches +/- for adjusting the brightness up / down.
- ✓ Built-in power supply for DALI-Bus (slider on / off).
- ✓ Conforms to RS-16 standard.

Microsafe® MDimDali Dimmer panel for DALI

MDimDali is a dimmer panel for the DALI system.

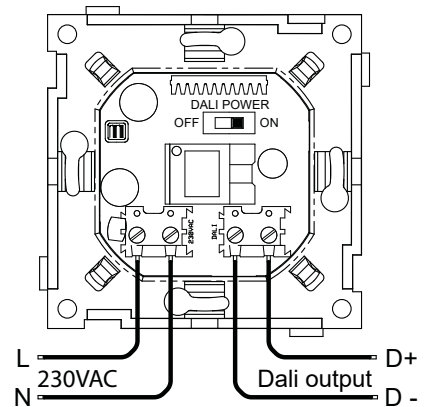
It controls lights with DALI Broadcast, ie all products connected to DALI-Bus are controlled equally.

MDimDali listens for level and updates the display automatically.

Several panels can be connected in parallel and act as changeover switch.

Built-in power supply for DALI bus that can control lights directly without extra equipment (up to 20 units). DALI power supply can be switched on / off with a slide switch.

WIRING DIAGRAM



PART. NO.	NAME
1418261	MDimDali

TECHNICAL DATA			
Dimensions:	Conforms to RS16	Light level:	1 - 99 %
Voltage::	230 VAC +10/-20%	Output:	DALI
Guaranteed supply current:	40mA	Maximum supply current:	50mA
In parallel connection, "Maximum supply current" must not exceed 250mA.			
Protection: Over-temperature protection at 75 °C ("OL" in display).			

MANUFACTURER
CTM Lyng AS
Tel: +47 72 83 16 11
www.ctmlyng.com