

## PAIRING

Program the moisture sensor to communicate with one or more units.

**Alternative 1** (To be carried out by authorised personnel only)

1. Briefly press the button (SW1 in the socket/valve driver). The amber LED will start to flash every 2 seconds. **The unit is now in pairing mode for 60 seconds.**
2. Hold the button on the moisture sensor (SW1) in and insert the battery. The moisture sensor will beep twice to acknowledge that the battery has been inserted. Continue to hold the button in until the moisture sensor beeps three times. **The units are now paired.**

**Alternative 2** (Can be carried out by anyone)

1. Disconnect the power to the socket/valve driver by removing the fuse circuit/plug and putting it back again. The amber LED will start to flash every 2 seconds. **The unit is now in pairing mode for 60 seconds.**
2. Hold the button on the moisture sensor (SW1) in and insert the battery. The moisture sensor will beep twice to acknowledge that the battery has been inserted. Continue to hold the button in until the moisture sensor beeps three times. **The units are now paired.**
3. Disconnect the power to the socket/valve driver once more by removing the fuse circuit/plug and putting it back again. This saves the pairing. **This must be done within 1 minute of pairing.**

## TESTING COMMUNICATION

To test communication between the moisture sensor and valve driver/socket, briefly press the button (SW1) on the moisture sensor several times. The blue LED in the valve driver/socket should flash once for every press of the button.

## TESTING/FUNCTION TESTING THE MOISTURE SENSOR

1. Open the tap halfway.
2. Moisture can be simulated by short-circuiting two of the moisture sensor pins as shown on page 3. This can be done with a screw, another metal object or a damp cloth. The valve should then shut off the water supply.
3. To re-open the valve, reset the alarm by briefly pressing the Moisture Sensor's reset button (SW1).
4. Repeat for all moisture sensors in the system (to check how many moisture sensors there are, see page 5 of the *Installation and User Instructions for the Valve Driver* under Tip).

# CTM LYNG

## ANNUAL END USER TEST

The system owner/user must familiarise themselves with the accompanying Installation and User Instructions at installation, and is under an obligation to test that installed equipment shuts off the water supply as required in the Norwegian Insurance Approval Board (FG) test.

Function testing must be performed at least twice a year in accordance with the Installation and User Instructions for Moisture Sensors, On/Off Switches, Timers and Motion Sensors.

## Technical data

<b>Dimensions:</b> HxD 24 x 58 mm	<b>Battery:</b> 1x CR2450
<b>RF:</b> 868.100 MHz +5 dBm Compatible with "v2" equipment, see page 2	<b>Battery life:</b> Up to 4 years

CTM Lyng AS is Norway's leading manufacturer and supplier of security products for the home, assistive technology, energy efficiency, and light and heating control for all building types under the mKomfy®, mTouch®, Microsafe® and Centrol® brands.

We distribute our products through wholesalers.

We offer everything from product development to production and distribution. Our production facility in Vanvikan is equipped with some of the most advanced machinery in Europe.

**Verkstedvegen 19, 7125 Vanvikan, Norway**

**Tel: +47 72 83 16 11**  
**Email: [marked@ctmlyng.no](mailto:marked@ctmlyng.no)**

**For more information, visit us at**  
**[www.ctmlyng.com](http://www.ctmlyng.com)**

**Thank you for choosing a product from CTM Lyng AS**

# CTM LYNG

0320 Art. No.: 12607\_EN

## Installation and User instructions

For products made after week 16-2019

## Moisture Sensor, wireless

No. 5648535 / 6251608



The Moisture Sensor is a security product from CTM Lyng AS.

The moisture sensor closes the valve when it detects moisture, and cuts the power supply to sockets it is paired with.

The moisture sensor is mounted where moisture is expected.

When the battery is low, the moisture sensor will beep twice and the red LED (LED1) will flash every 5 minutes in addition to the LED flashing every 10 seconds.

**Compatible with**

- External Moisture Sensor 1 m
- Valve Driver and Valve Driver with power adapter
- All Mstikk sockets
- mTouch HUB



Look for products labelled "v2"

The system is flexible, and can be expanded to accommodate different needs and security levels.

**MOISTURE SENSOR FUNCTION**

When the moisture sensor detects moisture, it closes the valve and turns off the sockets it is paired with.

The moisture sensor sounds the alarm with three beeps and flashes every 10 seconds for 90 seconds. It will then beep and flash once every minute until it is reset by pressing the reset button.

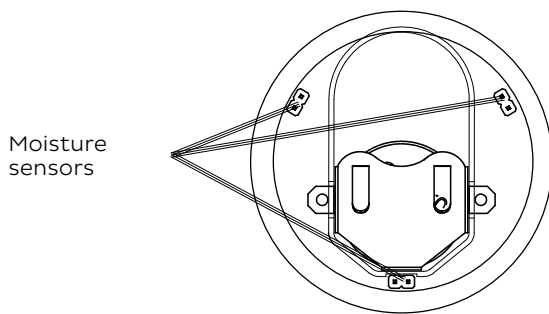
**MOISTURE DETECTION**

If the moisture alarm is tripped, the moisture sensor will lock valves and sockets in the off position, and can only be re-opened by resetting the alarm on the moisture sensor that was tripped.

NB: The moisture sensor must be completely dry before the alarm can be reset. Dry it with a cloth or remove the battery and put to dry.

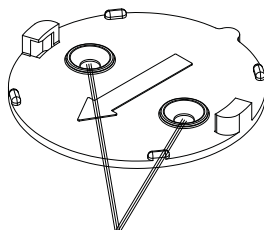
**NB:** Carry out pairing and test the moisture sensor before mounting. See page 5.

Mount the Moisture Sensor where moisture is expected to be detected.

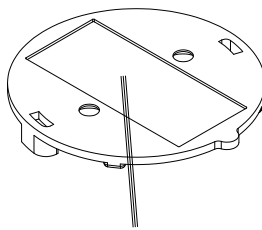


Moisture sensors

Secure the backplate with tape or the screws provided.



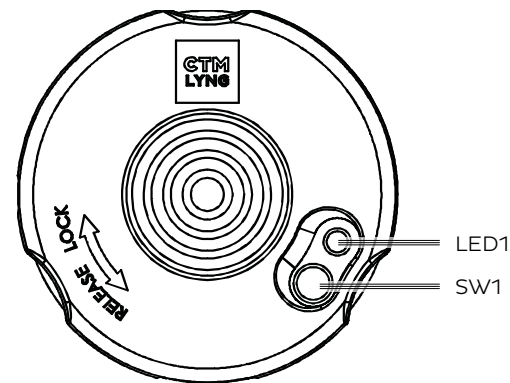
Screw holes



Tape area

Mount with the arrow on the backplate towards the battery holder in the moisture sensor. Place the moisture sensor on the backplate and twist on clockwise.

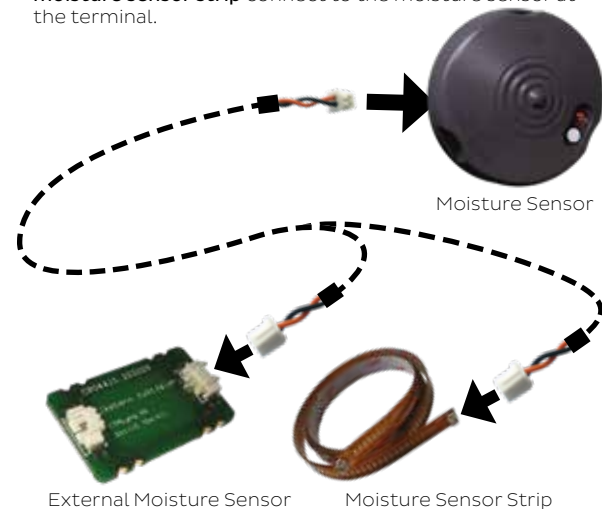
**TIP:** Program all the units in a system before mounting. This will make it easier to test the equipment.



SW1		Programming/ reset button
LED1	Red	Alarm

**ACCESSORIES**

Accessories such as the **external moisture sensor** and **moisture sensor strip** connect to the moisture sensor at the terminal.



External Moisture Sensor

Moisture Sensor Strip