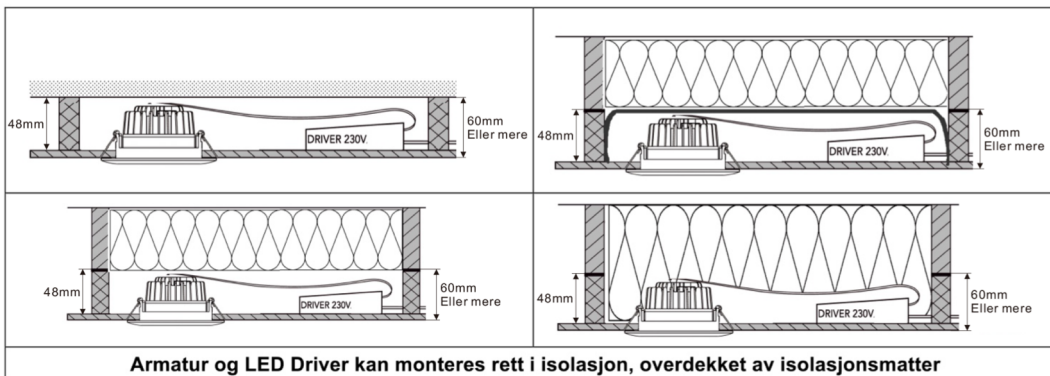
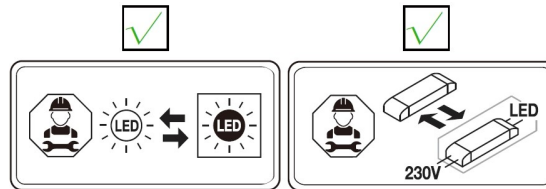
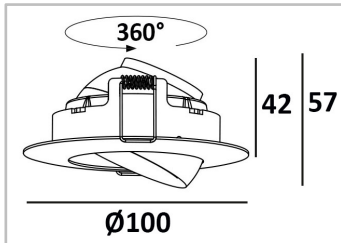


NorLum Cosmo



IMPORTANT INFORMATION:

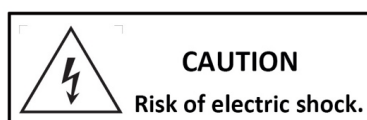
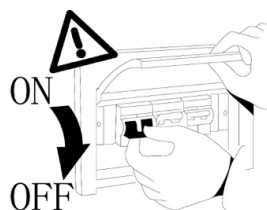
1. Please read this instruction carefully before installation and keep it for future reference.
2. Please conform to the instruction of equipment and installed by professional.
3. Make sure correct voltage applied before use and keep away from heat and vibration source.
4. The light source of this luminaire is not replaceable. When the light source reaches its end of life the whole luminaire shall be replaced.
5. The product is not suitable for any oil pollution ambient or related applications.
6. This product contains a light source of energy efficiency class E.
7. For indoor use only.

MAIN PARAMETER:

Product	NorLum Cosmo
Rated Voltage	AC 220-240V 50/60Hz
LED watt	5,25W
System eff	6,5W
LED	Sunpu COB LED
LED Driver	Constant Current 350mA
Color Temperature	2700K
Protection	Class II
Beam Angle	60°
IP Rated	IP44
Operation Temperature	-25°C <ta<45°C
Cut-out	Ø83-86mm
Product Size	Ø100mmxH42mm

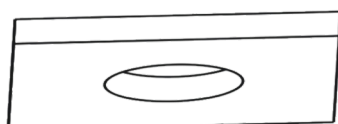
INSTALLATION INSTRUCTIONS:

1. Always switch off the power supply before installation.
2. Make sure all parts are ready when open the box and prepare the installation tools the lighting needs.
3. Should be installed by qualified electricians.
4. If there is any damage on the housing or glass cover, should view it as disqualified product that cannot be used.
5. If the external flexible cable or cord of this luminaire is damaged, it shall be exclusively replaced by the manufacturer or his service agent or a similar qualified person in order to avoid a hazard.

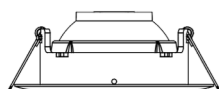


INSTALLATION STEPS:

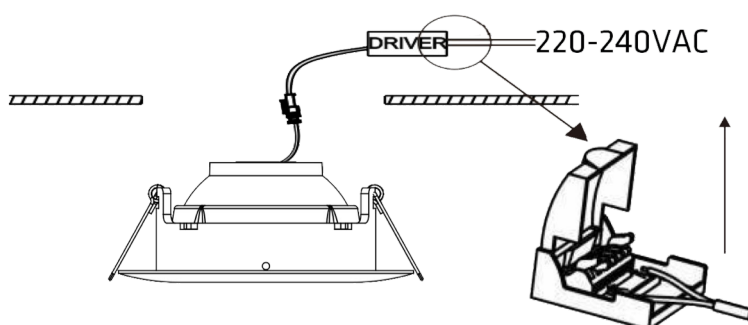
1. Cut-out for the downlight.



Cut-out: Ø83-86mm



2. Connect Mains supply to the quick connection terminal block of LED driver. Slide the mounting spring clips into the ceiling cut-out and push the luminaire up into cutting hole. Ensure that it is securely located.



3. Switch on the power supply.

